

WALLINGFORD  SWARTHMORE

SCHOOL DISTRICT

Robert (Bob) Maloney, Director Buildings & Grounds  
484-574-0247 (cell) email: rmaloney@wssd.org  
200 South Providence Road  
Wallingford, Pa., 19086

# Strath Haven High School Dual Side-by-Side Batting Tunnels

Nick Cirilli, PE      610-613-3455 (cell)      ncirilli@comcast.net  
Bob Maloney      484-574-0247 (cell)      rmaloney@wssd.org





Imagery ©2023 Maxar Technologies, U.S. Geological Su

Location Plan  
No Scale

STRATH HAVEN High School  
205 S. Providence Road  
Wallingford, Pa 19086





Imagery ©2023 Maxar Technologies, U.S. Geological Survey, USDA/FPAC/GEQ, Map data ©2023 100 ft

Fast Slow

Live traffic

**ENLARGED PLAN**  
**NO SCALE**

Strath Haven High School  
205 S. Providence Road  
WALLINGFORD, PA 19086

# Batting Tunnel Supplemental Sketches

Strath Haven High School  
205 S. Providence Road  
Wallingford, Pa., 19086

Nick Cirilli, PE email: [ncirilli@comcast.net](mailto:ncirilli@comcast.net)  
Fred Pondo, PE email: [fpondo@gmail.com](mailto:fpondo@gmail.com)



# Strath Haven High School

## Dual Batting Tunnels Scope of work

### References:

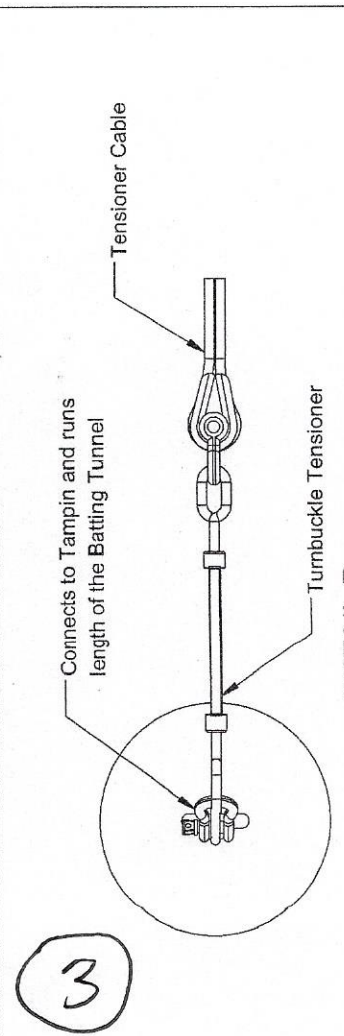
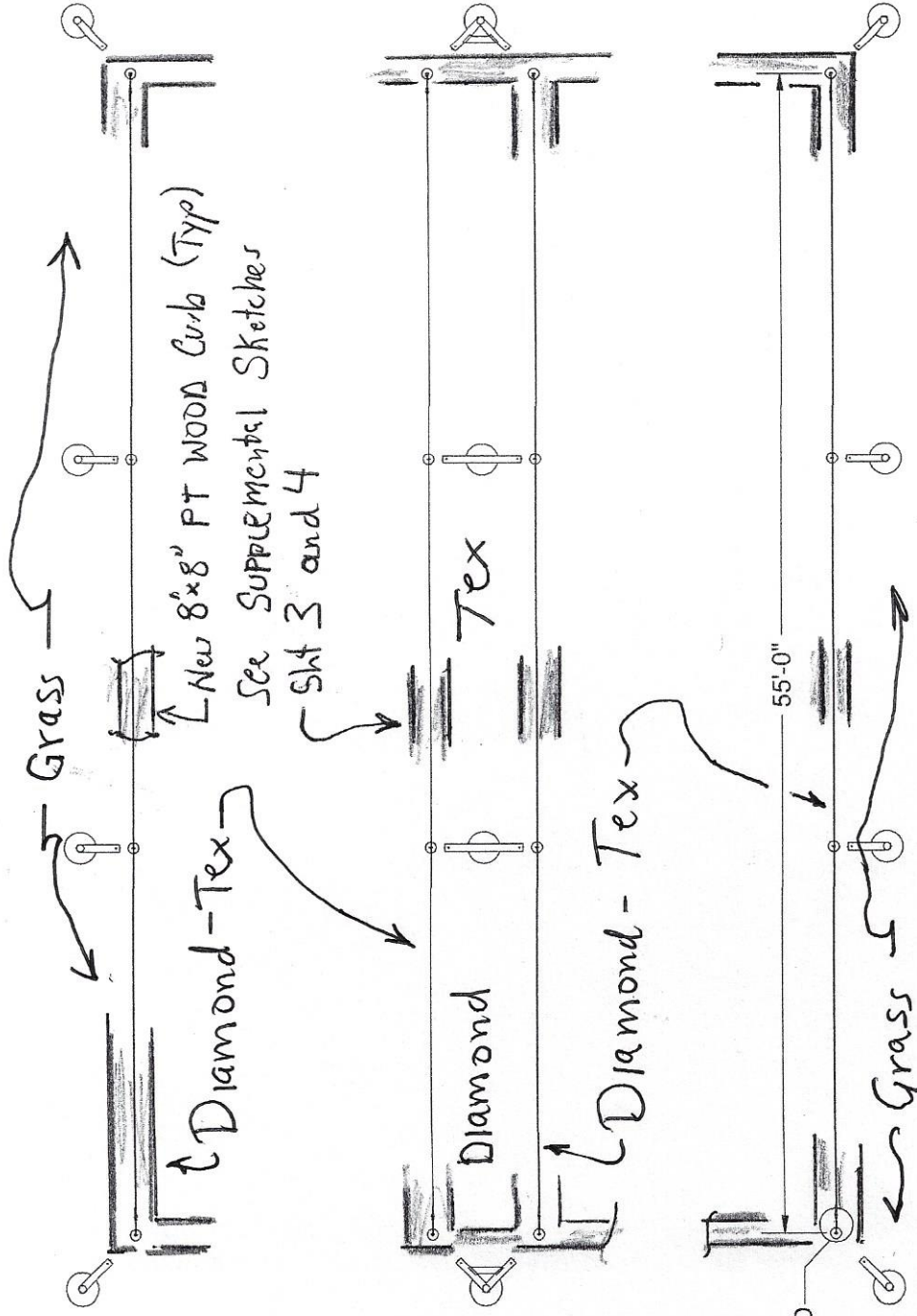
1. AAE BT-141455- DUAL batting Tunnel drawings and installation packet
2. Supplemental Sketches dated December 22, 2023

1. Remove and legally dispose of earth to desired grade versus new footings per **Supplemental Sketches**. Coordinate footing elevations with school district engineer.
2. Install 12 each ground sleeves and footings per layout drawing BT-141455-DUAL-C-002 and BT-141455-DUAL-C-003
3. Install 16 each tampins per layout drawings BT-141455-DUAL-C-002 and BT-141455-DUAL-C-004 at elevation shown on **Supplemental Sketches**.
4. Install **8x8 PT timber curbing** per layout drawing and **Supplemental Sketches** to create foundations for dual batting tunnels.
5. Install stone, screenings, and Premium Diamond-Tex inside curbs per **Supplemental Sketches**.
6. Assemble batting tunnel per manufacturer instructions. Note: Longer eye bolts may need to be supplied and installed.
7. Install weed barrier and Diamtex between batting tunnels. Match grade inside tunnel
8. Install topsoil and reseed all disturbed areas including work access way and new cage area. Disturbed areas of site shall be seeded with a blend of Pennlawn-fine Fescue (67%) and perennial rye (33%). Cover seeded areas with Curlex or excelsior biodegradable blankets.

### NOTES:

- a. Batting Tunnel has been purchased by school district and is available for inspection.
- b. Contractor shall have a survey instrument on site at all times to ensure proper elevations and positive perimeter drainage.
- c. Premium Diamond-Tex by Martin Limestone, Inc  
74 Kurtz Rd, Denver, Pa. 17517  
Sales: 800-422-8107 ext 1525.

# Tension Cable Layout



**AAE**  
**Aluminum Athletic Equipment**  
 1000 Enterprise Drive, Royersford, PA 19468  
 Toll Free: (800) 523-5471, Fax: (610) 825-2378  
 www.AAEsports.com

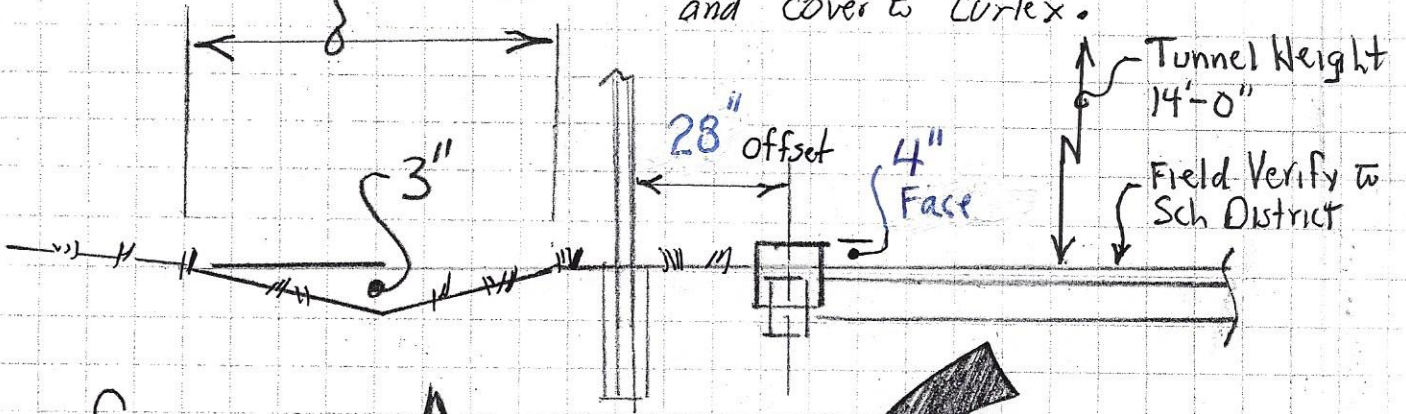
DESCRIPTION:		Tension Cable Layout	
NOTE:		55'-0"	
MODEL:	BT-141455-DUAL	CATEGORY:	CUSTOMER
DWN. BY:	CED	DATE:	02/01/2018
CAO FILE:	BT-141455-Dual Packet	DWG. NO.:	BT-141455-C-004



Field Determine w/ Sch District Engr (85 LF Allowance)

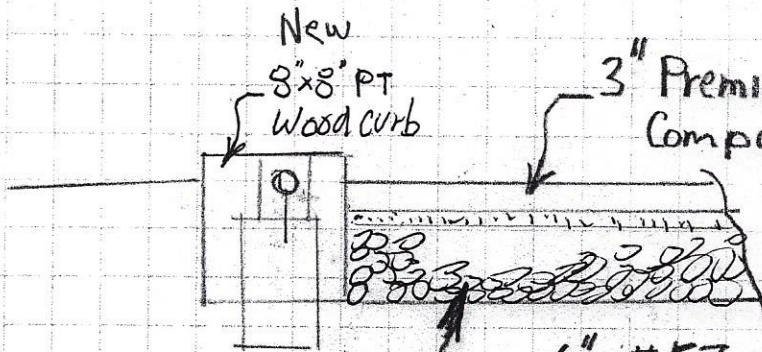
5' wide x 3" deep Interceptor Swale

Restore w/ Top Soil, Starter Fertilizer, Seed  
and cover w/ Curlex.



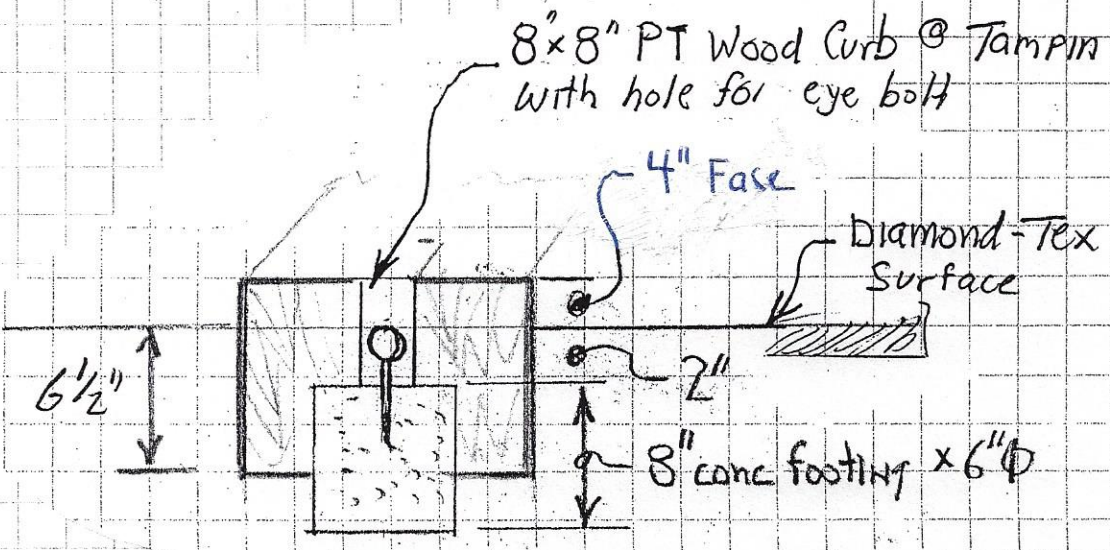
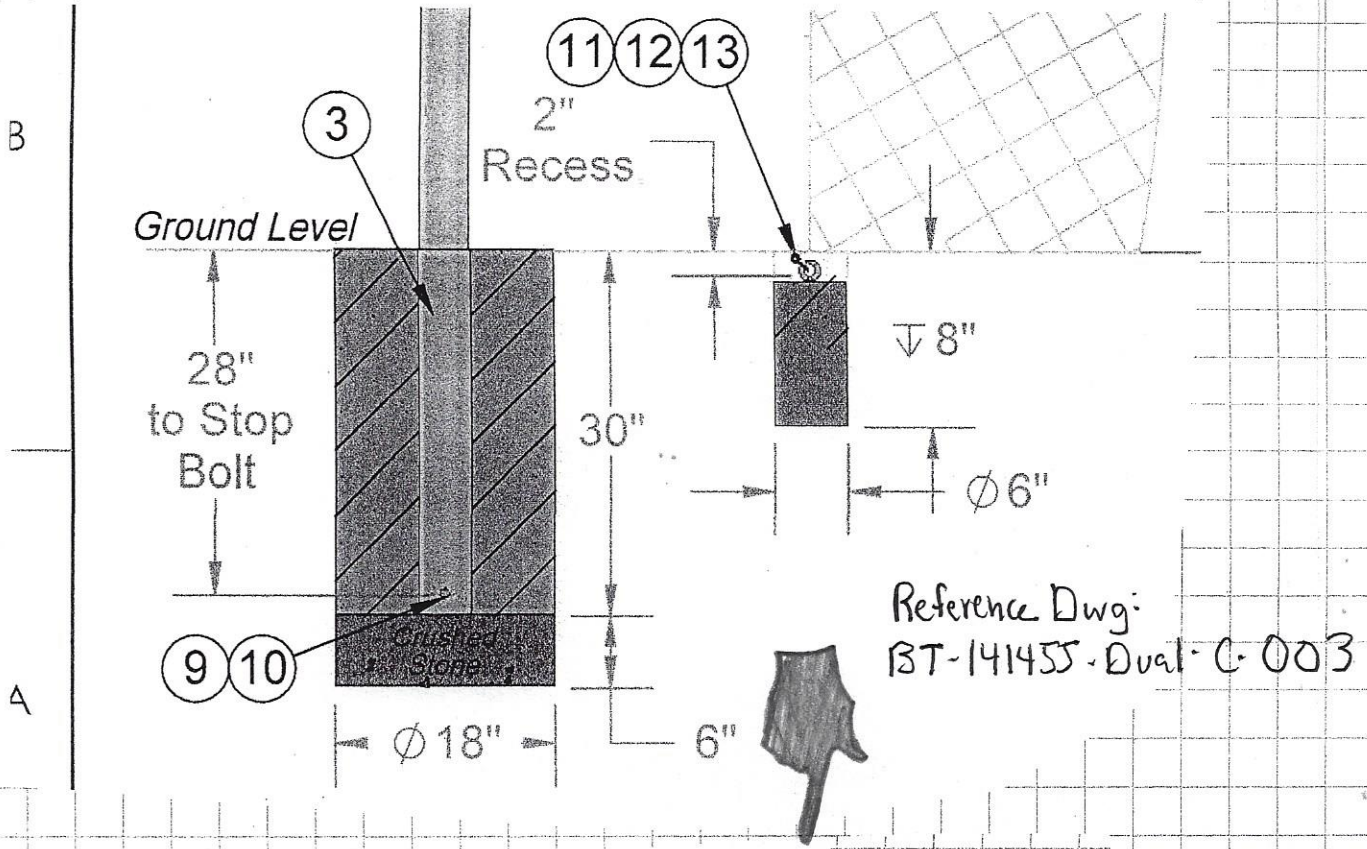
# SECTION A

No Scale



6"-#57 clean Stone  
choke surface w/  
Screening (1" ±)  
compact by Mech  
Means Before Placing  
Diamond-Tex



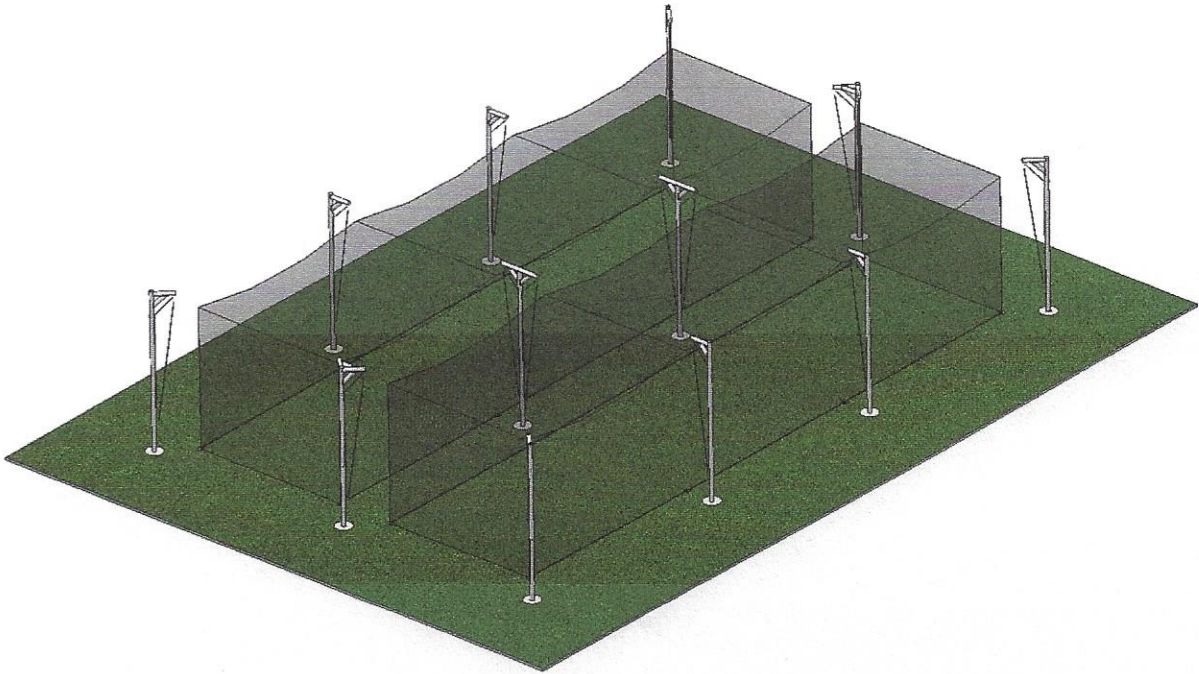


SEE BT 141455-C-004  
For Entire Perimeter Layout



SNH5

**BT-141455-DUAL**  
**Side-by-Side Batting Tunnels**  
**14'H x 14'W x 55'L**



**Aluminum Athletic Equipment**  
1000 Enterprise Drive, Royersford, PA 19468  
Toll Free: (800) 523-5471 Fax: (610) 825-2378  
[www.AAEsports.com](http://www.AAEsports.com)

# BT-141455-DUAL - Side-by-Side Batting Tunnels

## Two 14'H x 14'W x 55'L

### Specifications & Accessories

4" x .125" wall aluminum uprights (6061T6, mill finish standard) with welded offset arms and supports (x8 r-shaped [1A], x2 T-shaped [1B], x2 Y-shaped [1C])

\*OPTIONAL: BT-PC  
Black powdercoat finish available

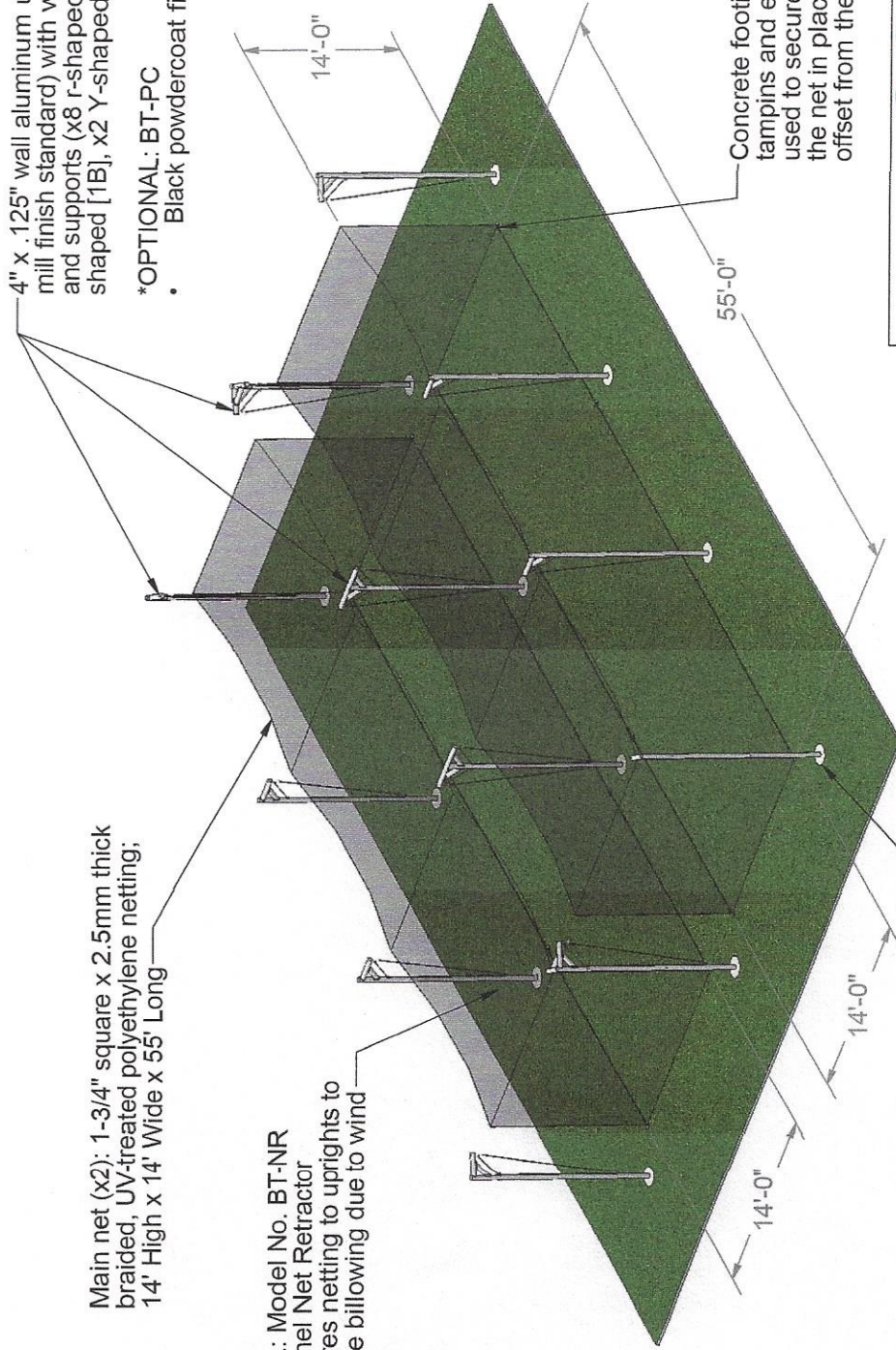
Main net (x2): 1-3/4" square x 2.5mm thick braided, UV-treated polyethylene netting; 14' High x 14' Wide x 55' Long

\*OPTIONAL: Model No. BT-NR Batting Tunnel Net Retractor

• Secures netting to uprights to reduce billowing due to wind

Concrete footings with tampins and eyebolts are used to secure the bottom of the net in place at a 30" offset from the uprights.

Uprights install into 30" deep aluminum ground sleeves, eliminating the need for tedious tie-down cables extending beyond the posts



**Aluminum Athletic Equipment**  
1000 Enterprise Drive, Poyersford, PA, 19468  
Toll Free: (800) 523-4771 Fax: (610) 823-2378  
www.AAESports.com

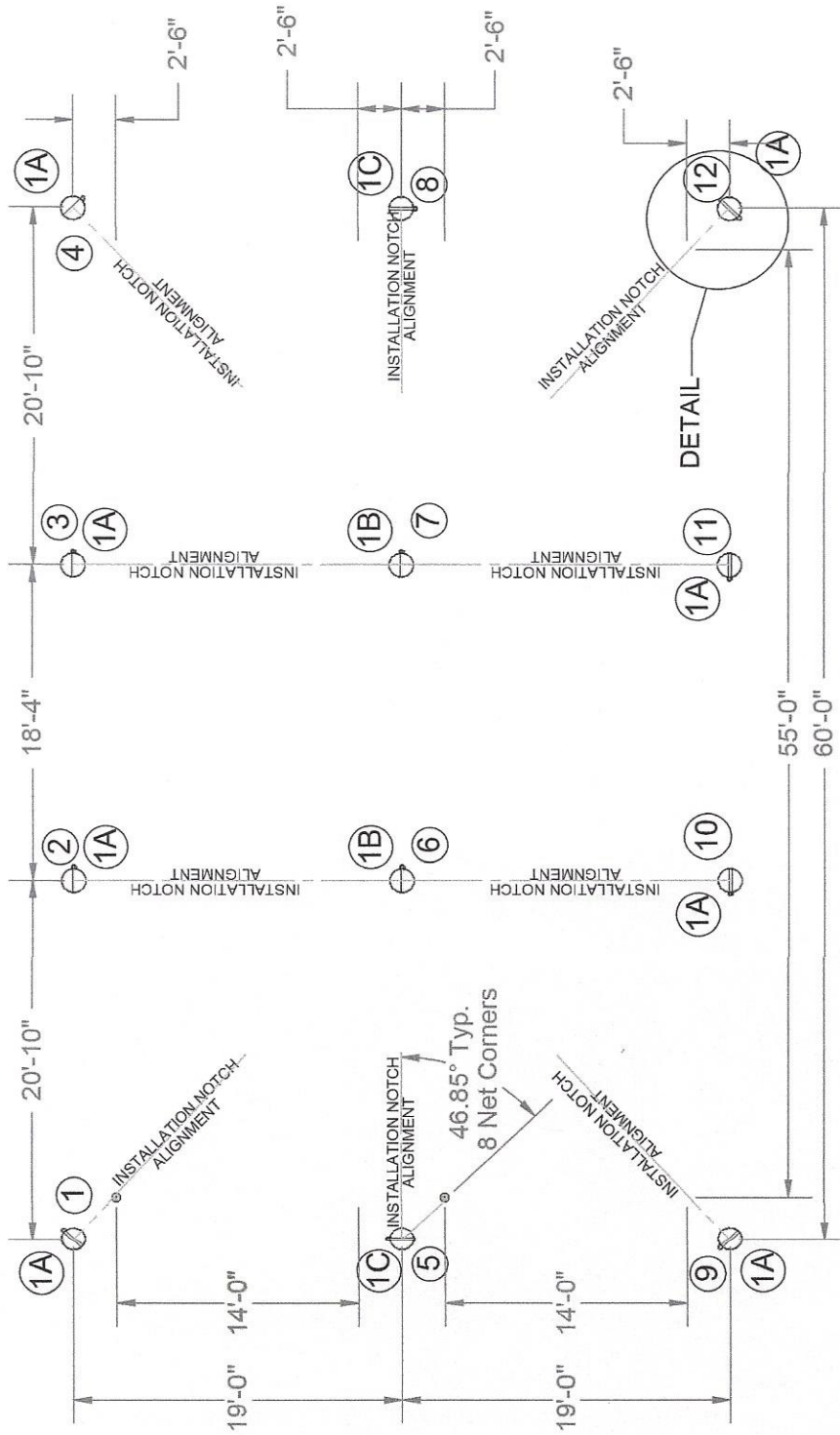
DESCRIPTION: <b>BT-141455-DUAL - Side-by-Side Batting Tunnels</b>	
NOTE: Two 14'H x 14'W x 55'L Batting Tunnels: Specifications & Accessories	
MODEL: BT-141455-DUAL	CATEGORY: CUSTOMER
DWN BY: CED	DATE: 07/13/11
CAD FILE: BT-141455-DUAL Packet	DWG. NO. BT-141455-DUAL-C-001




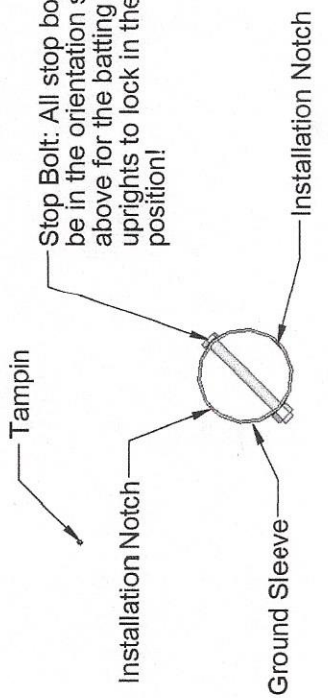
# BT-141455-DUAL - Side-by-Side Batting Tunnels

## Two 14'H x 14'W x 55'L

### Ground Sleeve and Upright Layout



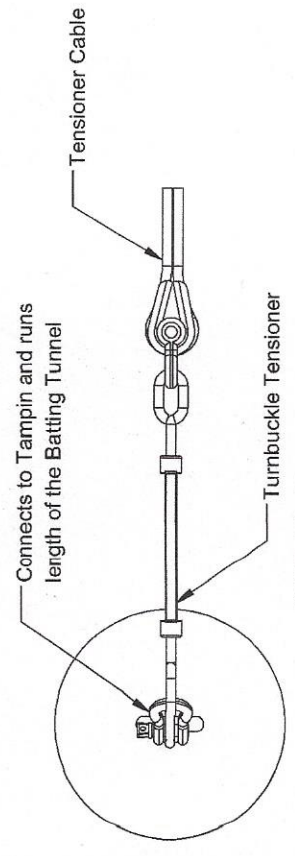
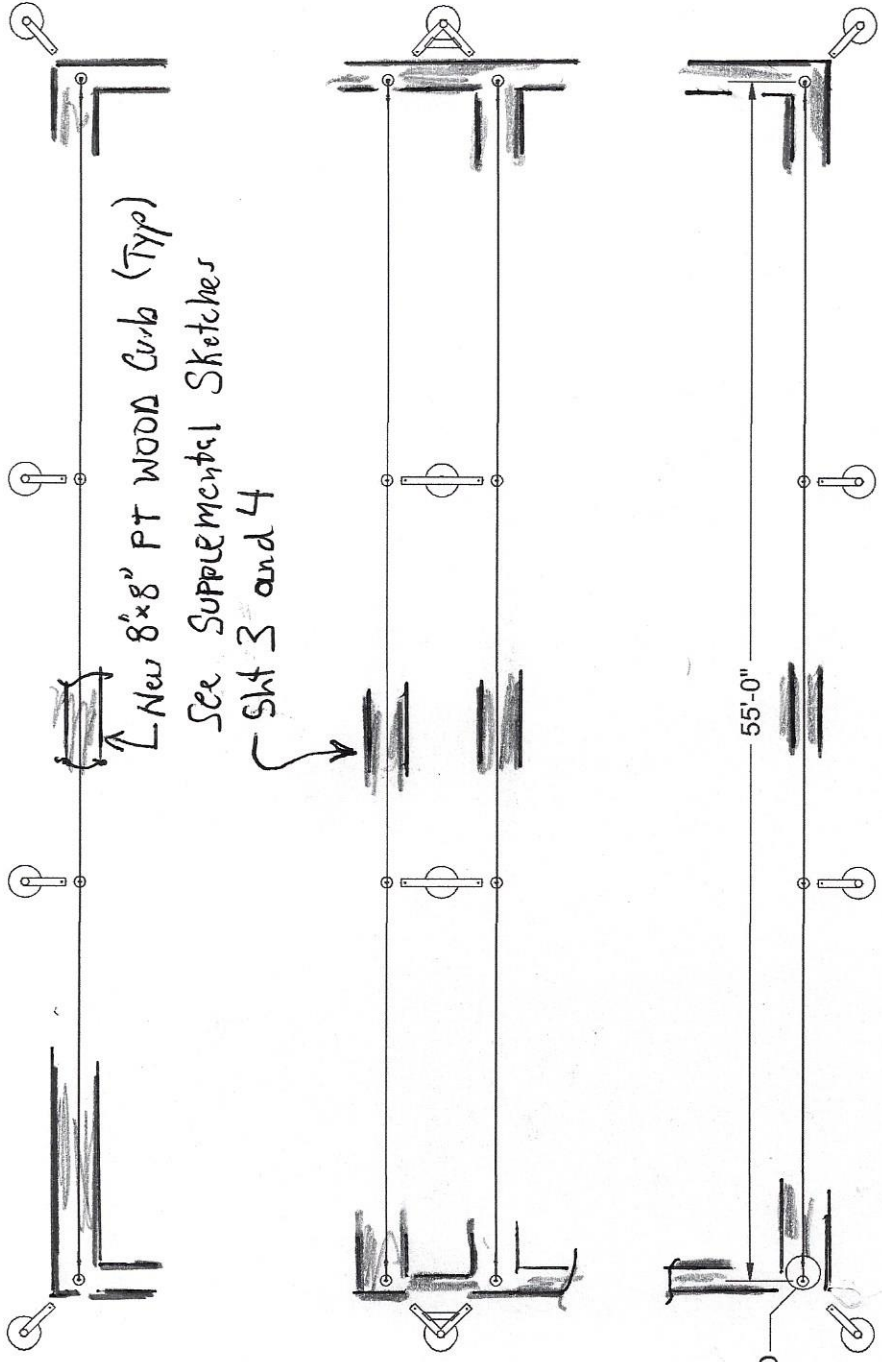
**IMPORTANT: Note orientation of stopbolts when installing ground sleeves!!**

 <p><b>Aluminum Athletic Equipment</b> 1000 Enterprise Drive, Royersford, PA 19468 Toll Free: (800) 523-5471 Fax: (610) 825-2378 www.AAESports.com</p>	<p>DESCRIPTION: <b>BT-141455-DUAL - Side-by-Side Batting Tunnels</b></p> <p>NOTE: Plan View Layout of Ground Sleeves and Uprights</p> <p>MODEL: BT-141455-DUAL CATEGORY: CUSTOMER DATE: 07/13/11</p> <p>DRAWN BY: ARP CAD FILE: BT-141455-DUAL Packet DWG. NO. BT-141455-DUAL-C-002</p>
<p><b>Upright Types:</b></p> <ul style="list-style-type: none"> <li>1A: r-style uprights, used on outer edges and corners</li> <li>1B: T-style uprights, used between tunnels</li> <li>1C: Y-style uprights, used on corners between tunnels</li> </ul>	<p><b>Additional Notes:</b></p> <ul style="list-style-type: none"> <li>Ø4 3/8" OD x .125" wall all aluminum (6061T6) ground sleeves</li> <li>All stainless steel hardware</li> </ul>
<p>Stop Bolt: All stop bolts must be in the orientation shown above for the batting tunnel uprights to lock in the correct position!</p> 	





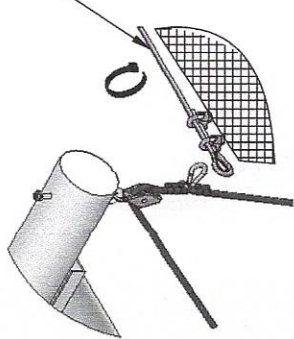
# Tension Cable Layout



**AAE**  
**Aluminum Athletic Equipment**  
 1000 Enterprise Drive, Royersford, PA 19468  
 Toll Free: (800) 523-5471 Fax: (610) 825-2378  
 www.AAEsports.com

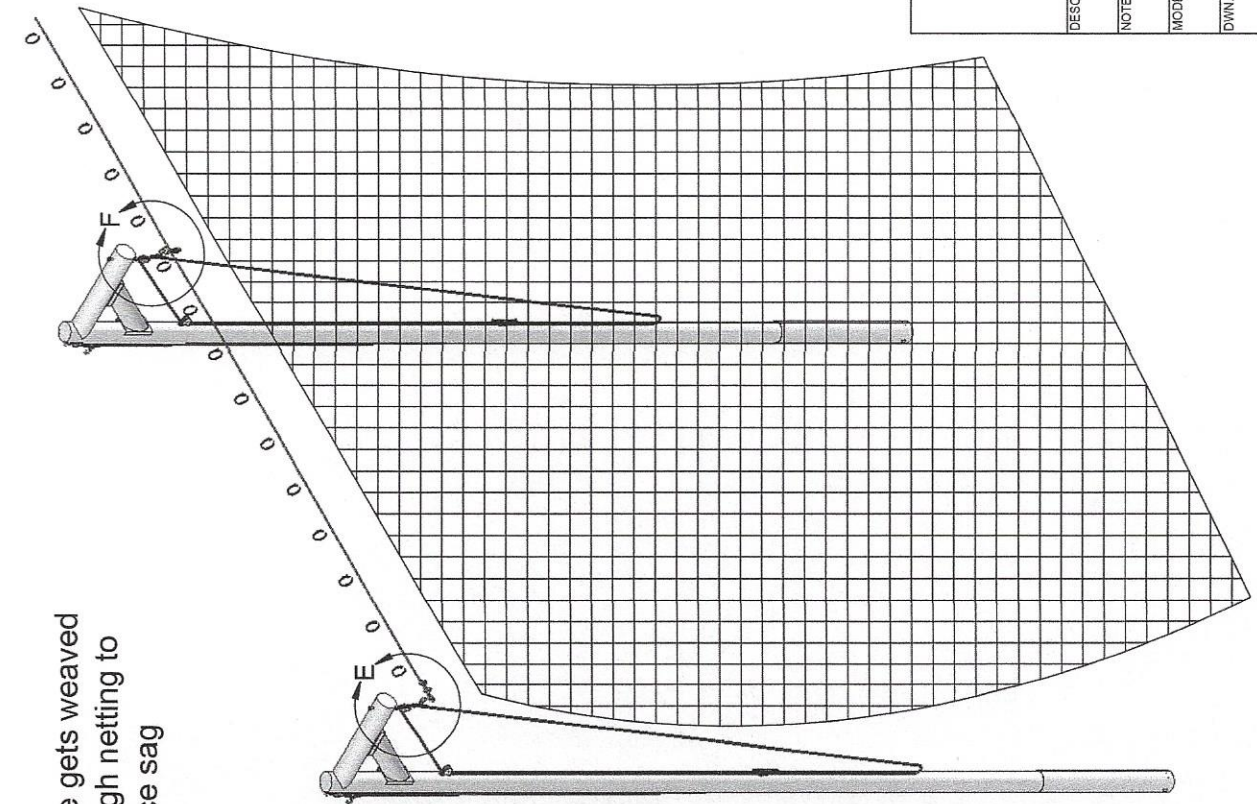
DESCRIPTION:		Tension Cable Layout	
NOTE:		55'-0"	
MODEL:	BT-141455-DUAL	CATEGORY:	CUSTOMER
DWN. BY:	CED	CAD FILE:	BT-141455-Dual Packet
		DATE:	02/01/2018
		DWG. NO.	BT-141455-C-004

# Batting Tunnel Cable

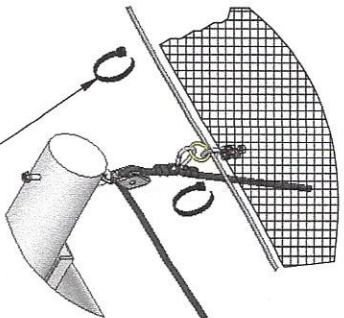


Cable gets weaved through netting to reduce sag

DETAIL E



Use cable ties every 1 to 2 feet to secure net to cable



DETAIL F



**Aluminum Athletic Equipment**  
 1000 Enterprise Drive, Royersford, PA 19468  
 Toll Free: (800) 823-2471 Fax: (610) 823-2378  
 www.AAESports.com

DESCRIPTION:	
Batting Tunnel Cable	
NOTE: Cable Diagram	
MODEL: BT-141455-Dual	CATEGORY: CUSTOMER
DWN. BY: CED	DATE: 02/05/2018
CAD FILE: BT-141455 Dual CAD Packet	DWG. NO. BT-141455-Dual-C-005



**BT-141455-DUAL**  
**14'H x 14'W x 55'L SIDE-BY-SIDE BATTING TUNNELS**  
**PARTS LIST**

Pt #	Item	Description	Qty.
1A	Upright – r-shaped	4.00" o.d. x .125 x 17'-8" aluminum tube with 24" welded arm and welded brace, 6061T6	8
1B	Upright – T-shaped	4.00" o.d. x .125 x 17'-6" aluminum tube with 44" welded crossbar and welded braces, 6061T6	2
1C	Upright – Y-shaped	4.00" o.d. x .125 x 17'-8" aluminum tube with two 24" welded arms and welded braces, 6061T6	2
2	Main Net	1-3/4" square x 14' high x 14' wide x 55' long poly net	2
3	Ground Sleeve	4.35" o.d. x .100 x 30" 6061T6 aluminum tube	12
4	Pulley	#18-1 deck block galvanized steel pulley	16
5A	Pulley bolt	1/4"- 20 x 4-1/2" hex bolt, S.S.	24
5B	T-shaped Upright Pulley bolt	1/4"- 20 x 5-1/2" hex bolt, S.S.	4
6	Cleat	6" galvanized steel cleat	16
7A	Cleat bolt	1/4"- 20 x 5-1/2" hex bolt, S.S.	24
7B	T-shaped Upright Cleat bolt	1/4"- 20 6-1/2" FH mach. screw, plated	4
8	Stopbolt	1/2"- 13 x 5" steel hex bolt, plated	12
9	Stopbolt Nut	1/2"- 13 steel hex nut, plated	12
10	Hoisting Rope	5/16" polypropylene black braided rope, 26' long	16
11	Pear Clip	1/4" Pear Clip, S.S.	32
12	Eyebolt	3/8"-16 x 2-1/2" steel eyebolt, S.S.	16
13	Concrete Anchor	3/8"-16 tampin insert, P25T	16
14	Nut	1/4"-20 steel nylon lock nut, S.S.	56
15	Nut	1/4"-20 steel acorn nut, S.S.	28
16	Eyebolt	5/16"-18 x 6" steel eyebolt, S.S.	16
17	Hanging Pulley	#3-5 fast eye, galvanized steel, swivel pulley	16
18	Nut	5/16"-18 steel nylon lock nut, S.S.	16
19	Cable Clamp Assembly	Galvanized steel cable clamp and brass O-ring	16
20	Main Net Tension Cables	3/16" vinyl coated galvanized cable assembly (55' long)	8
21	Tensioner Kit	Galvanized 5/8" Tensioner, cable clamps, cable loop, shackles	4
22	Wire Ties	Black polypropylene net ties	200

**BT-141455-DUAL  
14'H x 14'W x 55'L SIDE-BY-SIDE BATTING TUNNELS  
PARTS LIST**

---

**FOR TECHNICAL ASSISTANCE, CALL 1-800-523-5471**

K:\AAE Data\PDF Files\Product Instructions & Parts Lists\Baseball\BT-141455\BT-141444-DUAL Parts List.doc  
Copyright © 2011 Aluminum Athletic Equipment Co.



**BT-141455-DUAL**  
**14'H x 14'W x 55'L SIDE-BY-SIDE BATTING TUNNEL**  
**LAYOUT AND INSTALLATION INSTRUCTIONS**

---

**LAYOUT:** Refer to Drawing No. BT-141455-Dual-C-002

**INSTALLATION:**

Step No. 1  
Placing Ground Sleeves

Drill or dig 15"-18" diameter holes a minimum of 36" deep **(Consult local building codes for concrete depth and drainage requirements.)** at each Ground Sleeve Location. Fill the bottom of each hole with approximately 6" of crushed stone, so the depth from ground level to the top of the stone is 30". Insert 30" aluminum ground sleeves (Item No. 3) "bolt side" down. Make sure the ground sleeves are flush with the ground, centered, leveled (individually, as well as with each other), and plumb. Also, rotate the ground sleeves so that the two (2) grooves (Installation notches) on top of the ground sleeve are aligned correctly - See Drawing No. BT-141455-Dual-C-002 for details.

**NOTE:** It is extremely important that the Installation Notches on top of the ground sleeve are in proper alignment, so the keyslot in the main upright will lock the upright into its proper position when set into the ground sleeve.

Step No. 2  
Setting Ground Sleeves

When all the ground sleeves are in the proper position and alignment, the concrete can be poured. **(Be sure not to get any concrete inside the ground sleeves!)** As the concrete cures, constantly check to see that the ground sleeves are flush with the ground, centered, plumb, and in the correct alignment.

Step No. 3  
Drilling & Pouring Concrete Piers  
See Drawing No. BT-141455-Dual-C-002

Drill or dig 6" diameter holes 10" deep (Consult local building codes for concrete depth and drainage requirements.) At each "tampin location". Fill void with concrete to a level 2" below ground level. While the concrete is still in a semi-pliable state, place the tampin insert (Item No. 13) in the center of the pier so that the top of the insert is flush with the top level of the concrete. **(DO NOT get concrete inside the tampin insert!)** When concrete has hardened, thread 3/8"-16 eyebolt w/ attached Pear Clip (Item Nos. 11 & 12) into inserts.

Step No. 4  
Upright Assembly  
See Drawing No. BT-141455-Dual-

**For r-shaped uprights (Item No. 1A):**  
Attach swivel pulley, w/ attached eyebolt, (Item Nos. 16 & 17) to the hole at the end of the upright arm using a 5/16"-18 nylon lock nut (Item No. 18).



**BT-141455-DUAL**  
**14'H x 14'W x 55'L SIDE-BY-SIDE BATTING TUNNEL**  
**LAYOUT AND INSTALLATION INSTRUCTIONS**

---

C-003

Attach a fixed pulley (Item No. 4) through the upper set of holes using 1/4"-20 x 4-1/2" hex bolt (Item No. 5A) and 1/4"-20 nylon lock nuts (Item No. 14).

Attach one cleat (Item No. 6) through the lower set of holes using 1/4"-20 x 5-1/2" hex bolt (Item No. 7A) and 1/4"-20 nylon lock nuts (Item No. 14). Cap threads with 1/4" -20 acorn nuts (Item No. 15).

Thread hoisting rope (Item No. 10) with attached pear clip (Item No. 11) through top pulley, middle pulley, and secure to cleat.

**For T-shaped Uprights (Item No. 1B):**

Attach swivel pulleys, w/ attached eyebolt, (Item Nos. 16 & 17) to the holes at each end of the upright crossbar using 5/16"-18 nylon lock nuts (Item No. 18).

Attach a fixed pulley (Item No. 4) on either side of the upright through the upper set of holes using two 1/4"-20 x 5-1/2" hex bolts (Item No. 5B) and two 1/4"-20 nylon lock nuts (Item No. 14). (The two pulleys share the same set of hardware)

Attach two cleats (Item No. 6) on either side of the upright through the lower set of holes using two 1/4"-20 x 6-1/2" FH machined screws (Item No. 7B) and two 1/4"-20 nylon lock nuts (Item No. 14). Cap threads with two 1/4" -20 acorn nuts (Item No. 15). (The two cleats share the same set of hardware)

Thread hoisting rope (Item No. 10) with attached pear clip (Item No. 11) through top pulley, middle pulley, and secure to cleat.

**For Y-shaped Uprights (Item No. 1C):**

Attach a swivel pulley, w/ attached eyebolt, (Item Nos. 16 & 17) to the hole at the end of each of the upright arms using 5/16"-18 nylon lock nuts (Item No. 18).

Attach two fixed pulleys (Item No. 4), one under each arm, through the upper set of holes using four 1/4"-20 x 4-1/2" hex bolts (Item No. 5A) and four 1/4"-20 nylon lock nuts (Item No. 14). (Pulleys do NOT share the same set of hardware)

Attach two cleats (Item No. 6), one under each arm, through the lower set of holes using four 1/4"-20 x 5-1/2" hex bolts (Item No. 7A) and four 1/4"-20 nylon lock nuts (Item No. 14). Cap threads with four 1/4" -20 acorn nuts (Item No. 15). (Cleats do NOT share the same set of hardware)

Thread hoisting rope (Item No. 10) with attached pear clip (Item No. 11) through top pulley, middle pulley, and secure to cleat.

After concrete cures, insert assembled uprights into ground



**BT-141455-DUAL**  
**14'H x 14'W x 55'L SIDE-BY-SIDE BATTING TUNNEL**  
**LAYOUT AND INSTALLATION INSTRUCTIONS**

---

sleeves.

Step No. 5  
Installing Bottom  
Tensioned Cables

Lay 55' long cables out length-wise (x4). Attach pre-made loop end thimble with anchor shackle to corner tampin eyebolt on ground. End cable a bay short on the corner where entrance is preferable (this will allow for net to be clipped on and off for easy entering. Position turnbuckle at one end and make up with thimble. Make sure to remove the cable coating (2' typical) with a box cutting knife \*BE CAREFUL. Pull the cable around the thimble, which is attached to the corner eyebolt via an anchor shackle. Use cable clamps anchor shackles Tension all cables and clip cable at intermediate locations along the length.

*(Ask AAE about the BT-EZ Batting Tunnel Entrance Zipper, which can be added to any batting tunnel net to create an opening in any location on the net.)*

Step No. 6  
Installing Main  
Net

Lower hoisting rope w/ attached pear clip and cable clamp (Item Nos. 10, 11, & 19) to about 4 ft. above ground level. (Keep end of rope secured to cleat so you don't lose the rope!). Layout the main net and attach the cable clamps at each post to the net, starting at the corners at one end and working down to the other end. Once all posts' hoisting ropes are attached, raise the net all the way and secure the end of the rope firmly and professionally to the cleat. (Consult former Navy personnel or handbook for proper method.) Repeat the process for the second net.

Step No. 7  
Fasten Bottom of  
Net Border to  
Tensioned Bottom  
Cables

Start at the far end corner away from the chosen entrance side and zip tie bottom border of net every 6" (3-4 net square blocks). It may help to lower the net a foot from the top so not to create unwanted tension during this step. Once completed, clip zip tie ends and raise net fully.

**FOR TECHNICAL ASSISTANCE, CALL 1-800-523-5471**